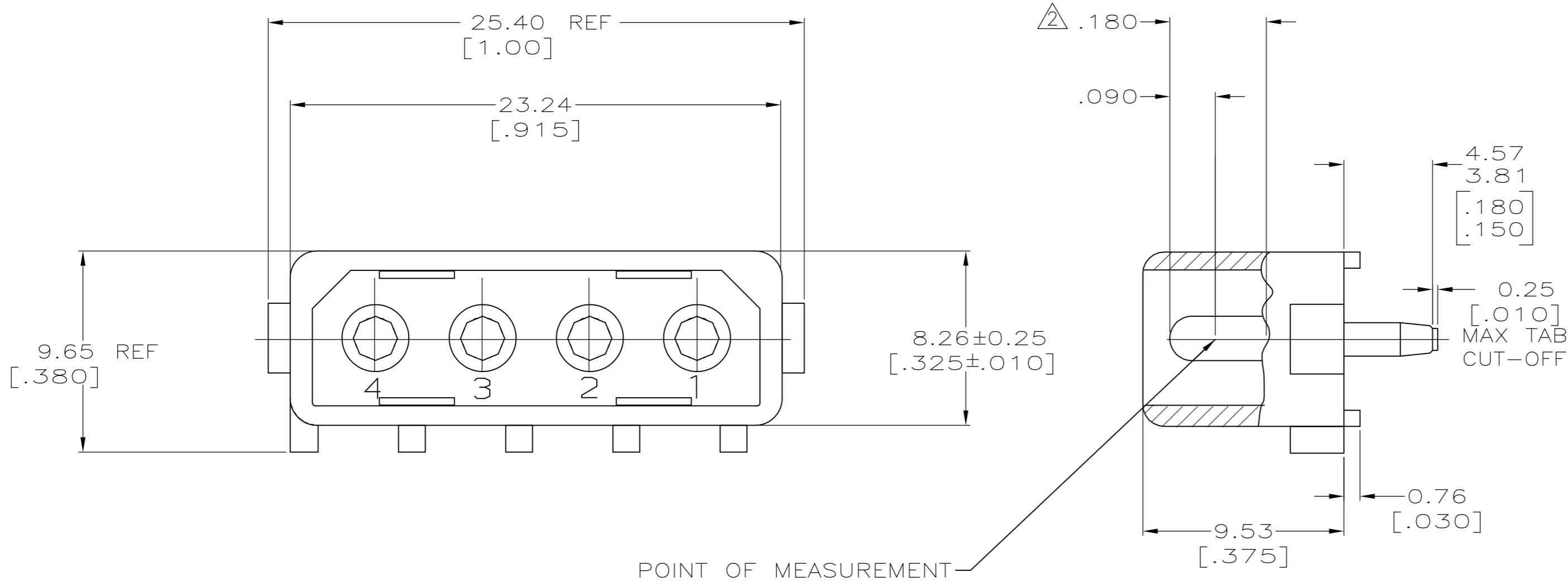
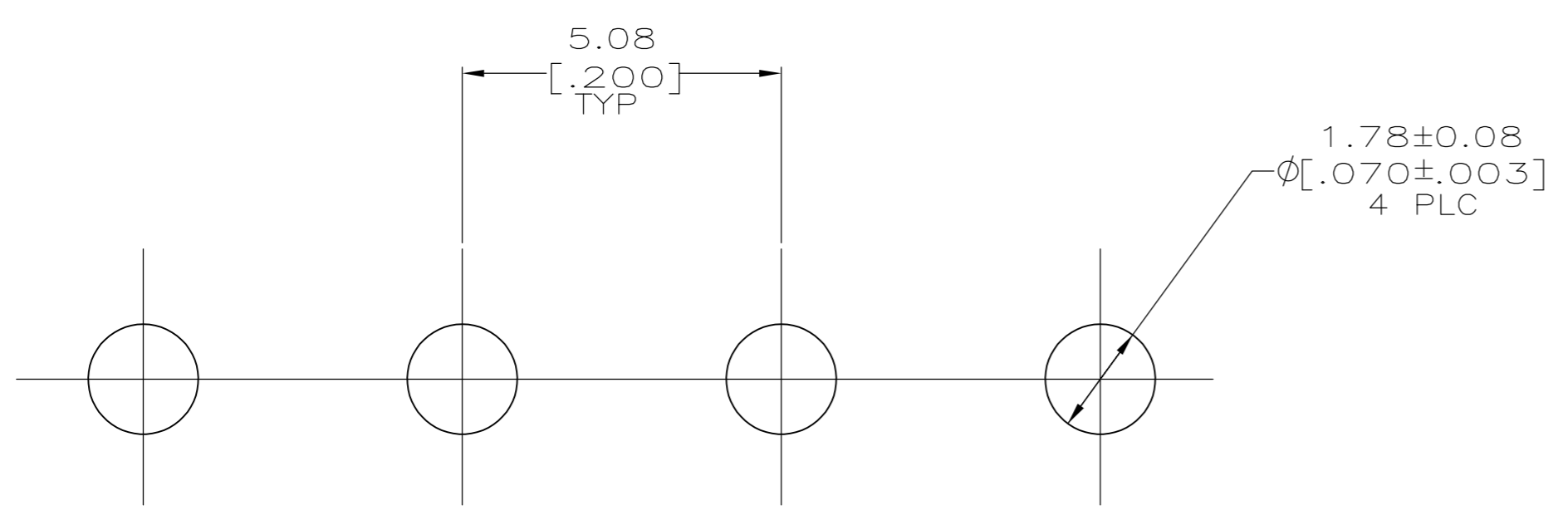


THIS DRAWING IS UNPUBLISHED. RELEASED FOR PUBLICATION
 © COPYRIGHT - By - ALL RIGHTS RESERVED.

REVISIONS				
P	LTR	DESCRIPTION	DATE	APVD
U4		REVISED PER ECR-15-006702	29JUL2015	NK PQ



- 1 PARTS MUST COMPLY WITH TE SOLDERABILITY SPECIFICATION 109-11-3.
- △ CONTACT IS PLATED OVERALL WITH 0.00127 [.000050] NICKEL, THEN 0.00076 [.000030] GOLD OVER CONTACT LENGTH INDICATED AND TIN PLATED ON SOLDER TAIL END.
- 3 DIMENSIONS IN BRACKETS ARE IN INCHES.



RECOMMENDED P.C. BOARD LAYOUT
 FOR 1.57 [.062] THICK P.C. BOARD
 SCALE 10:1

OBSOLETE	PHOS BRZ, TIN LEAD	NYLON,UL94V-2	-350211-3-
	△	NYLON,UL94V-2	350211-2
	PHOS BRZ, PRE-TIN	NYLON,UL94V-2	350211-1
	PIN CONTACT MATERIAL & FINISH	HOUSING MATERIAL & COLOR	PART NUMBER

THIS DRAWING IS A CONTROLLED DOCUMENT.		DWN K. WHITAKER 27MAY2005		NAME	
DIMENSIONS: mm [INCHES]		CHK D. COLEY 27MAY2005		D. COLEY	
TOLERANCES UNLESS OTHERWISE SPECIFIED:		APVD D. COLEY 27MAY2005		PRODUCT SPEC	
0 PLC ± - 1 PLC ± - 2 PLC ± 0.38[.015] 3 PLC ± - 4 PLC ± - ANGLES ± 0°30'		APPLICATION SPEC			
MATERIAL SEE TABLE	FINISH SEE TABLE	WEIGHT -	SIZE A2	CAGE CODE 00779	DRAWING NO C=350211
CUSTOMER DRAWING			SCALE 5:1	SHEET 1 of 1	REV U4