

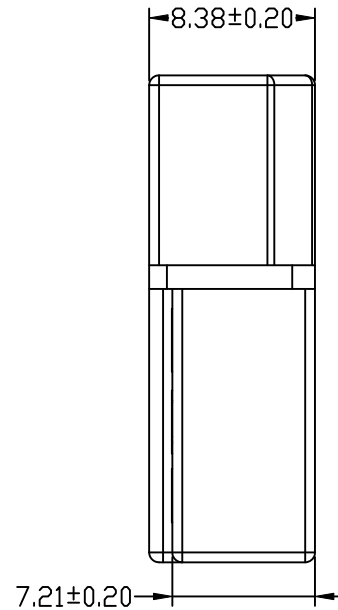
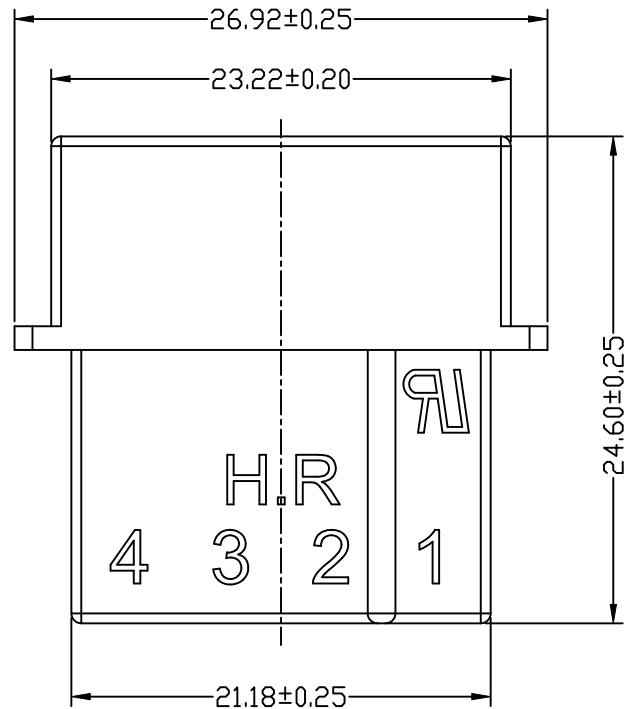
P/N LEGEND

C5080	HM-XP	N	X	X	NP	N	00	G	
①	②	③	④	⑤	⑥	⑦	⑧	⑨	⑩

① Series No.
 ② Connector type: HM=PLUG
 ③ No. of circuits
 ④ N=Halogen Free
 ⑤ Material: 0=NY66,UL94V-0 ; 2=NY66,UL94V-2
 ⑥ Color: W=White ; N=Natural
 ⑦ Plating code: NP=Non-plating
 ⑧ Plating code: N=Non-plating
 ⑨ Option code:
 00=Standard
 ⑩ Packing code: G=Bag

SPECIFICATIONS

Current Rating: 10A AC,DC
 Voltage Rating: 250V AC,DC
 Temperature Range: -25°C ~ +85°C
 Contact Resistance: 10mΩ Max
 Insulation Resistance: 1000MΩ Min
 Withstanding Voltage: 1500V AC/minute



燦達電子工業股份有限公司
 JOINT TECH ELECTRONIC IND. CO., LTD.

UNIT	SCALE	SHEET	TITLE:
mm		1 of 1	P/N:C5080HM-04P 5.08mm PITCH HOUSING-PLUG
DRAWN BY	APPROVED BY		
歐陽小強 2016.10.14	董正一 2016.10.14		
GENERAL TOLERANCE			
X.X±0.25	ANGLE±		DRAW NO. : C5080HM-04PNXXXXXXX
X.XX±0.15	▽		
X.XXX±0.05	⊕		

A0	NEW RELEASE	2016.10.19	劉包根
REV.	DESCRIPTION	DATE	NAME

DRAW NO. :	C5080HM-04PNXXXXXXX	REV.	A0
------------	---------------------	------	----