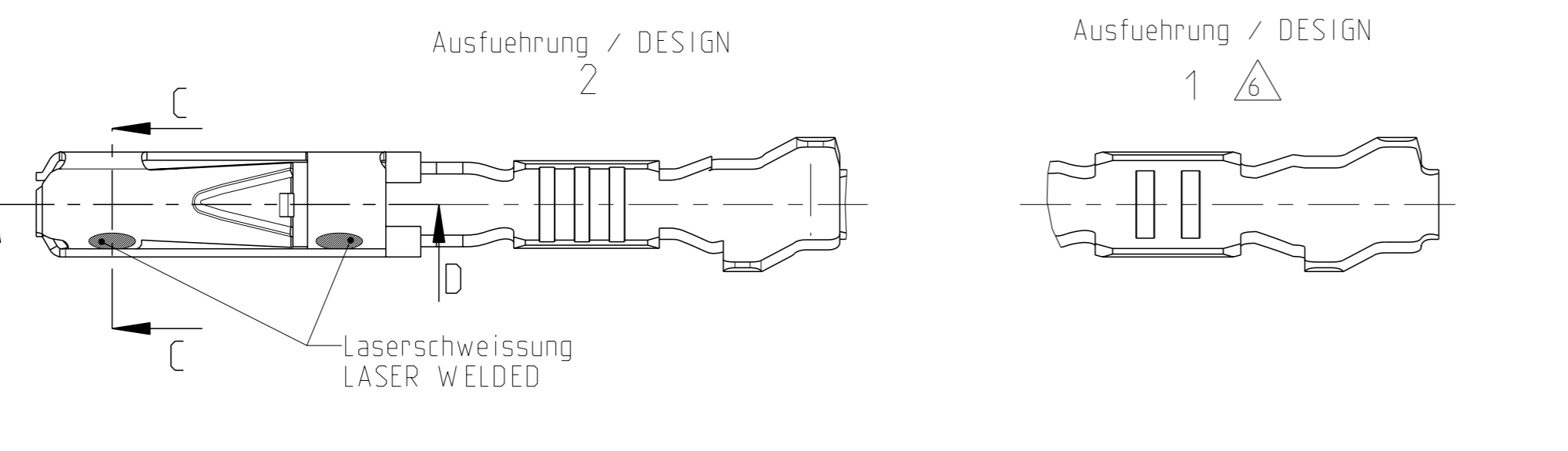
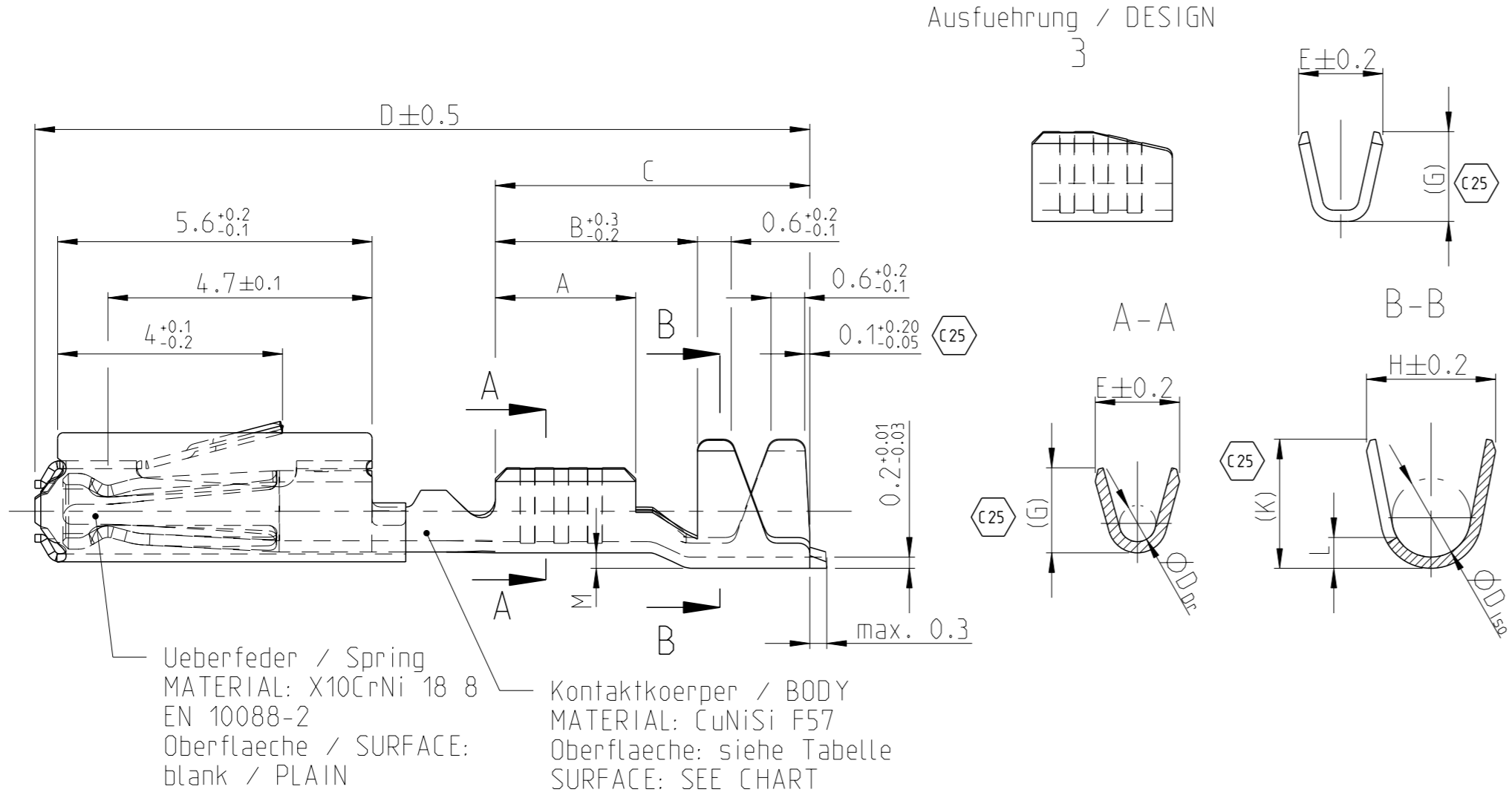
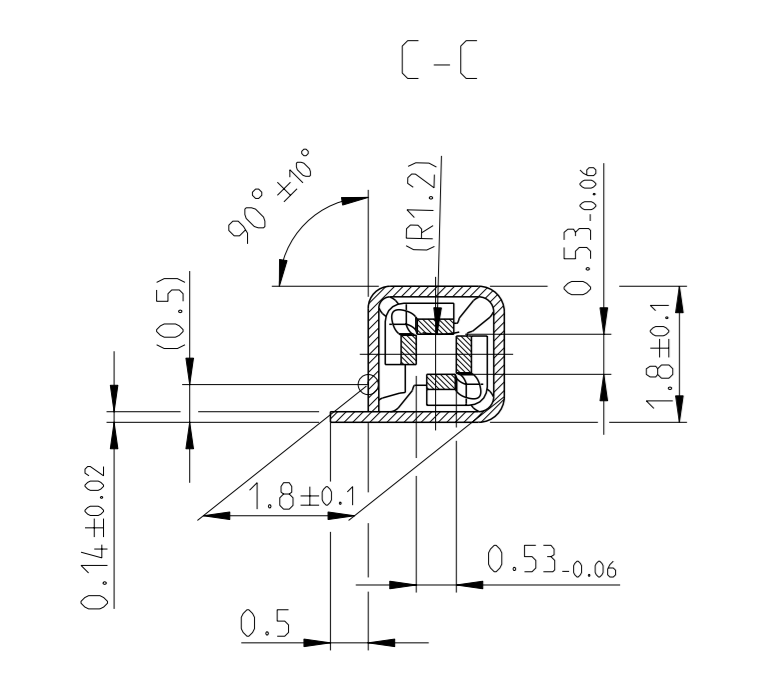
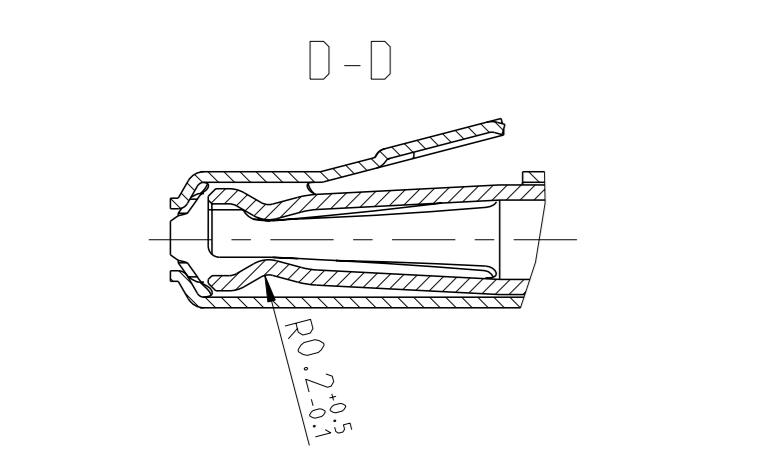
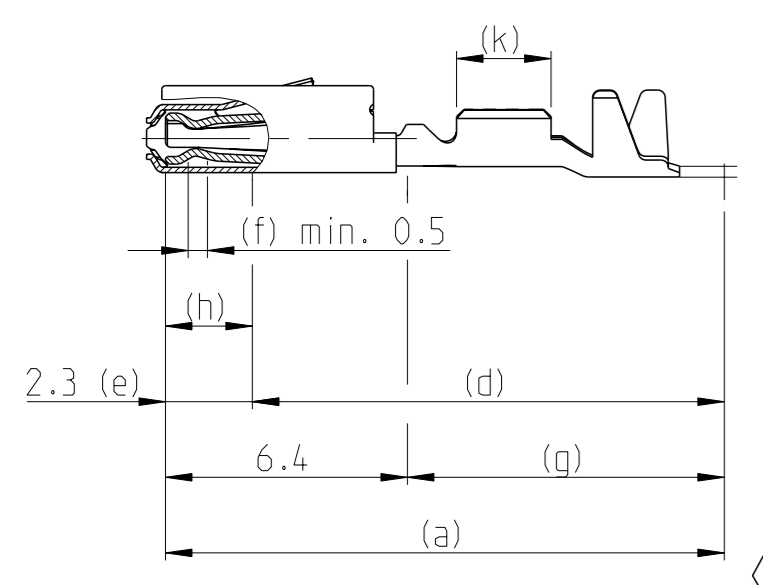


# Normale Anwendung USUAL APPLICATION



# Oberflaeche / FINISH

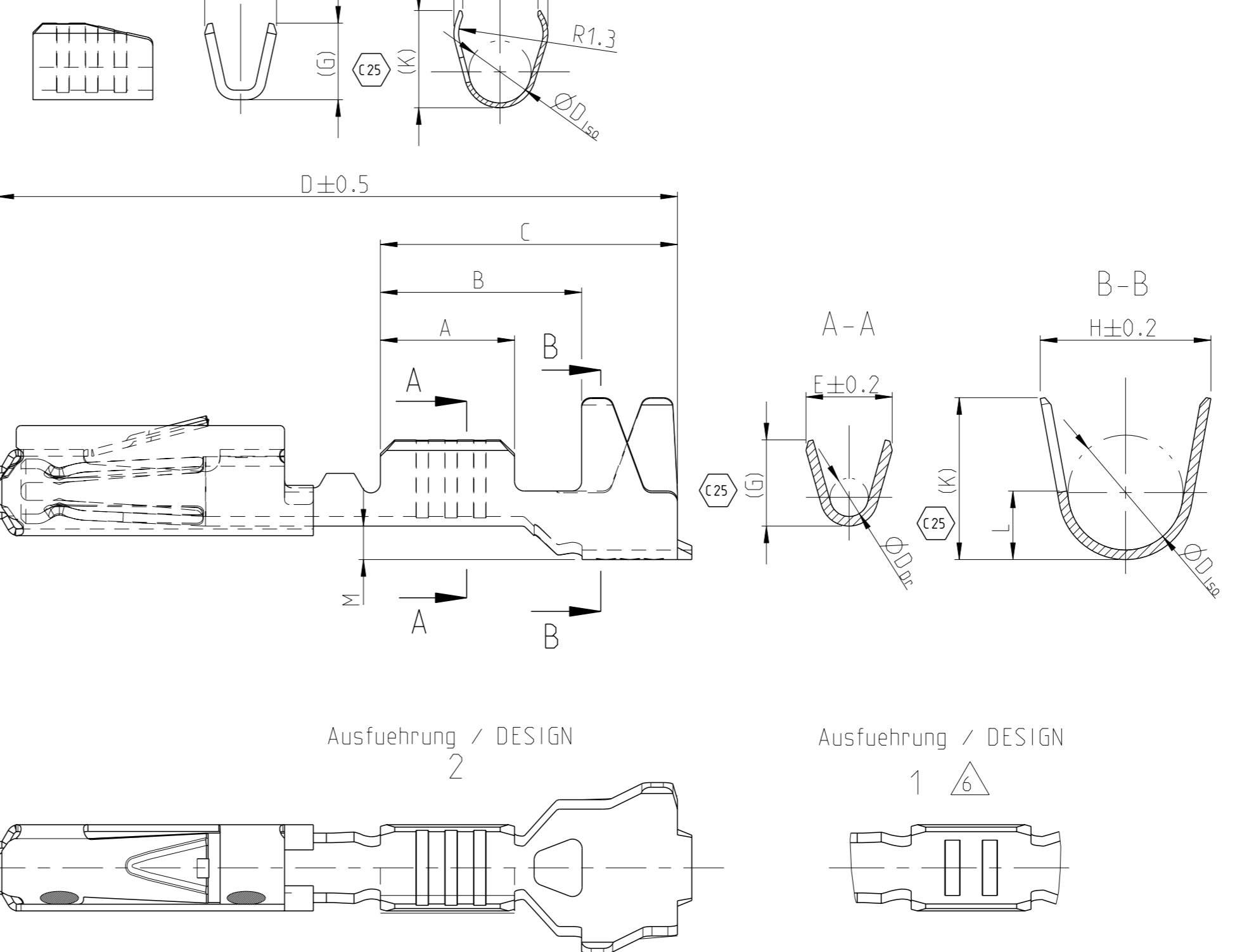


Sn: verzinnete Ausfuehrung  
 TINNED  
 (a) Kontaktkoerper: 0.8 - 2 µm Sn  
 BODY: 0.8 - 2 µm Sn

Ag: versilbert  
 SILVER  
 (e) min. 0.3 µm Ag  
 (f) min. 2.8 µm Ag INSIDE  
 min. 2.8 µm Ag innen  
 (g) min. 0.2 µm Sn  
 (k) min. 0.8 - 2 µm Sn

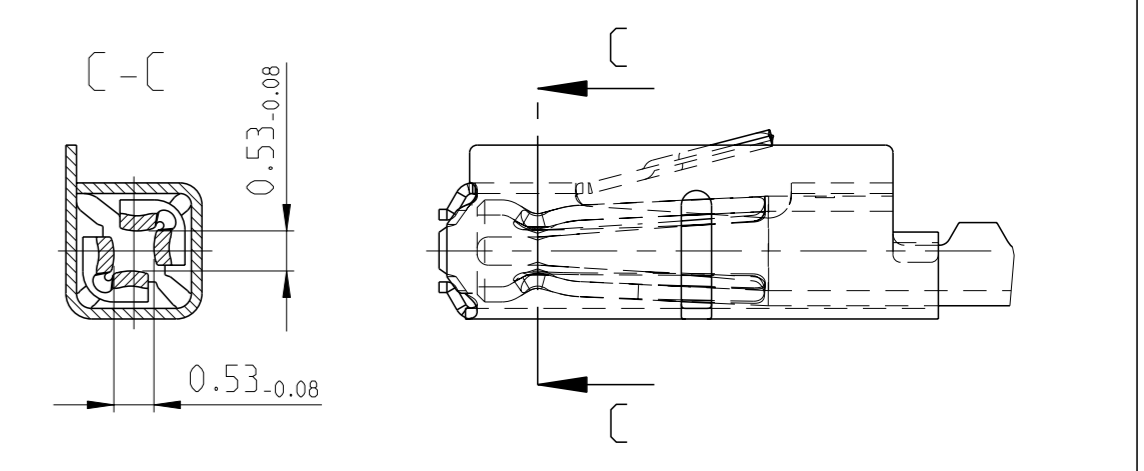
Au (galvanisch): galvanisch vergoldet  
 GOLD-ELECTROPLATED  
 (d) 0.05-1 µm Ni, beidseitig  
 0.05-1 µm Ni, ON BOTH SIDES  
 (e) 1-3 µm Ni, beidseitig  
 1-3 µm Ni, ON BOTH SIDES  
 (f) min. 1.8 µm Au ueber (e), innen  
 MIN. 1.8 µm Au OVER (e), INSIDE  
 (g) min. 0.2 µm Sn ueber (d), beidseitig  
 MIN. 0.2 µm Sn OVER (d), ON BOTH SIDES  
 (h) Au galvanisch auflaufend  
 Au OVERPLATING  
 (k) min. 0.8 - 2.0 µm Sn

# Einzeldichtungssystem SINGLE WIRE SEAL SYSTEM

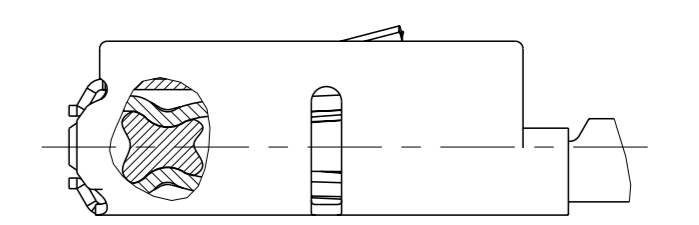


REVISONS		DATE	OWN	APVD
C22	Tolerance changed to +/-0.1; surface corrected	10JAN2019	MAH. BERG	
C23	Definition of measurement point f. contact height	30APR2019	FRAN BERG	
C24	See PCN E-19-011079	09DEC2019	MAH. BERG	
C25	See PCN E-20-001102	28AUG2020	MAH. BERG	

# versilberte/vergoldete Ausfuehrung SILVER/GOLD VERSION



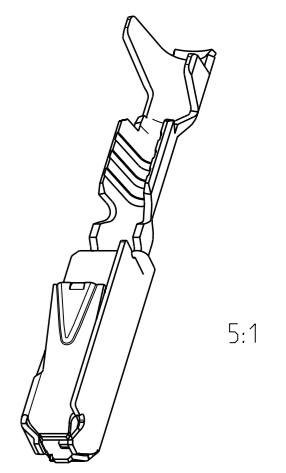
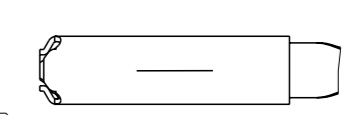
# GEL VERSION



Bestell-Nr. Ausfuehrung ORDER NO. DESIGN 2	Bestell-Nr. Ausfuehrung ORDER NO. DESIGN 3	Rev.	Bestell-Nr. Ausfuehrung ORDER NO. DESIGN 1	Rev.	VERSION	DGB Wire Size Range mm <sup>2</sup>	Oberflaeche SURFACE	Laenge LENGTH mm	Drahtcrimp WIRE CRIMP mm	Iso-crimp INSU-CRIMP mm	Gewicht WEIGHT g	Vergaerbeitung Spez. APPLICATION SPEC.	DGB Wire Size Range mm <sup>2</sup>	Isolations Ø INSULATING DIA. mm	fuer Kammer Ø3.45 FOR CAVITY DIA. 3.45 mm	Blindstopfen RUBBER PLUG	fuer Kammer Ø4 FOR CAVITY DIA. 4 mm	Blindstopfen RUBBER PLUG	zugehoerige Einzeldichtung / SUITABLE SINGLE WIRE SEAL							
6-965906-5		E	1-965906-5	D	Einzeldichtungssystem SINGLE WIRE SEAL SYSTEM	0.50-0.75	Au-Gel	A = 2.8 B = 4.2 C = 6.2 D = 14.3 M = 0.7	E = 2 G = 2.1 D <sub>Dr</sub> = 1	H = 3.5 K = 3.4 L = 1.5 D <sub>Iso</sub> = 2.4	0.13	0.75	1.4-1.9	967067-1 gruen GREEN	967056-1 blau / BLUE	963142-1 schwarz BLACK	967056-1 blau / BLUE	963142-1 schwarz BLACK								
5-965906-6		D	965906-6	C			Au	A = 2.5 B = 3.9 C = 5.9 D = 14 M = 0.7	E = 1.8 G = 1.4 D <sub>Dr</sub> = 0.8	H = 3.5 K = 3.4 L = 1.5 D <sub>Iso</sub> = 2.4										0.13	0.35	0.9-1.4	967067-2 gelb YELLOW	963142-2 grau GREY	963142-2 grau GREY	
5-965906-5		E	965906-5	D			Sn	A = 2.5 B = 4.3 C = 6.2 D = 13.7 M = 0.6	E = 1.5 G = 1.4	H = 4 K = 3.9 L = 1.5 D <sub>Iso</sub> = 2.6										0.1	0.13	0.85-1.25	967067-2 gelb YELLOW	963142-2 grau GREY	963142-2 grau GREY	
5-965906-1		D	965906-1	C			Ag	A = 2.5 B = 3.9 C = 5.9 D = 14 M = 0.7	E = 1.8 G = 1.4 D <sub>Dr</sub> = 0.8	H = 3.5 K = 3.4 L = 1.5 D <sub>Iso</sub> = 2.4										0.13	0.2	0.9-1.4	967067-2 gelb YELLOW	963142-2 grau GREY	963142-2 grau GREY	
5-962885-6		J	962885-6	H	normale Anwendung USUAL APPLICATION	0.50-0.75	Au-Gel	A = 2.8 B = 3.8 C = 5.6 D = 13.7 M = 0.2	E = 2 G = 2.1 D <sub>Dr</sub> = 1	H = 2.7 K = 2.9 L = 0.7 D <sub>Iso</sub> = 1.6	0.11	0.50-0.75														
5-962885-5		K	962885-5	J			Au	A = 2.5 B = 3.6 C = 5.6 D = 13.7 M = 0.2	E = 1.8 G = 1.8 D <sub>Dr</sub> = 0.8	H = 2.3 K = 2.3 L = 0.6 D <sub>Iso</sub> = 1.4										0.11	0.25-0.35	0.25-0.35	962885-6 schwarz BLACK	962885-5 schwarz BLACK	962885-5 schwarz BLACK	
5-962885-1		J	962885-1	H			Sn	A = 2.5 B = 3.7 C = 5.4 D = 13.7 M = 0	E = 1.5 G = 1.5 D <sub>Dr</sub> = 0.65	H = 2 K = 2 L = 0.6 D <sub>Iso</sub> = 1.1										0.1	0.13 / 0.17	0.13 / 0.17	962885-2 schwarz BLACK	962885-1 schwarz BLACK	962885-1 schwarz BLACK	
2141826-6		A					Ag	A = 2.5 B = 3.7 C = 5.4 D = 13.7 M = 0	E = 1.5 G = 1.5 D <sub>Dr</sub> = 0.65	H = 2 K = 2 L = 0.6 D <sub>Iso</sub> = 1.1										0.1	0.08-0.22	0.08-0.22	962885-3 schwarz BLACK	962885-1 schwarz BLACK	962885-1 schwarz BLACK	
2141826-5		A			Au	A = 2.5 B = 3.7 C = 5.4 D = 13.7 M = 0	E = 1.5 G = 1.5 D <sub>Dr</sub> = 0.65	H = 2 K = 2 L = 0.6 D <sub>Iso</sub> = 1.1	0.1	0.08-0.22	0.08-0.22	962885-4 schwarz BLACK	962885-1 schwarz BLACK	962885-1 schwarz BLACK												
2141826-1		A			Sn	A = 2.5 B = 3.7 C = 5.4 D = 13.7 M = 0	E = 1.5 G = 1.5 D <sub>Dr</sub> = 0.65	H = 2 K = 2 L = 0.6 D <sub>Iso</sub> = 1.1	0.1	0.08-0.22	0.08-0.22	962885-5 schwarz BLACK	962885-1 schwarz BLACK	962885-1 schwarz BLACK												
6-963715-5		K	1-963715-5	J	normale Anwendung USUAL APPLICATION	0.50-0.75	Au-Gel	A = 2.8 B = 3.8 C = 5.6 D = 13.7 M = 0.2	E = 2 G = 2.1 D <sub>Dr</sub> = 1	H = 2.7 K = 2.9 L = 0.7 D <sub>Iso</sub> = 1.6	0.11	0.50-0.75														
5-963715-6		J	963715-6	H			Au	A = 2.5 B = 3.6 C = 5.6 D = 13.7 M = 0.2	E = 1.8 G = 1.8 D <sub>Dr</sub> = 0.8	H = 2.3 K = 2.3 L = 0.6 D <sub>Iso</sub> = 1.4										0.11	0.25-0.35	0.25-0.35	963715-6 schwarz BLACK	963715-5 schwarz BLACK	963715-5 schwarz BLACK	
5-963715-5		K	963715-5	J			Sn	A = 2.5 B = 3.7 C = 5.4 D = 13.7 M = 0	E = 1.5 G = 1.5 D <sub>Dr</sub> = 0.65	H = 2 K = 2 L = 0.6 D <sub>Iso</sub> = 1.1										0.1	0.25-0.35	0.25-0.35	963715-6 schwarz BLACK	963715-5 schwarz BLACK	963715-5 schwarz BLACK	
5-963715-1		J	963715-1	H			Ag	A = 2.5 B = 3.7 C = 5.4 D = 13.7 M = 0	E = 1.5 G = 1.5 D <sub>Dr</sub> = 0.65	H = 2 K = 2 L = 0.6 D <sub>Iso</sub> = 1.1										0.1	0.25-0.35	0.25-0.35	963715-6 schwarz BLACK	963715-5 schwarz BLACK	963715-5 schwarz BLACK	
6-928999-5		T	1-928999-5	S	normale Anwendung USUAL APPLICATION	0.25-0.35	Au-Gel	A = 2.8 B = 3.8 C = 5.6 D = 13.7 M = 0.2	E = 2 G = 2.1 D <sub>Dr</sub> = 1	H = 2.7 K = 2.9 L = 0.7 D <sub>Iso</sub> = 1.6	0.11	0.25-0.35														
5-928999-6		S	928999-6	R			Au	A = 2.5 B = 3.6 C = 5.6 D = 13.7 M = 0.2	E = 1.8 G = 1.8 D <sub>Dr</sub> = 0.8	H = 2.3 K = 2.3 L = 0.6 D <sub>Iso</sub> = 1.4										0.11	0.25-0.35	0.25-0.35	928999-6 schwarz BLACK	928999-5 schwarz BLACK	928999-5 schwarz BLACK	
5-928999-5		T	928999-5	S			Sn	A = 2.5 B = 3.7 C = 5.4 D = 13.7 M = 0	E = 1.5 G = 1.5 D <sub>Dr</sub> = 0.65	H = 2 K = 2 L = 0.6 D <sub>Iso</sub> = 1.1										0.1	0.25-0.35	0.25-0.35	928999-6 schwarz BLACK	928999-5 schwarz BLACK	928999-5 schwarz BLACK	
5-928999-1		S	928999-1	R			Ag	A = 2.5 B = 3.7 C = 5.4 D = 13.7 M = 0	E = 1.5 G = 1.5 D <sub>Dr</sub> = 0.65	H = 2 K = 2 L = 0.6 D <sub>Iso</sub> = 1.1										0.1	0.25-0.35	0.25-0.35	928999-6 schwarz BLACK	928999-5 schwarz BLACK	928999-5 schwarz BLACK	
2141824-6		A			Ag	A = 2.5 B = 3.7 C = 5.4 D = 13.7 M = 0	E = 1.5 G = 1.5 D <sub>Dr</sub> = 0.65	H = 2 K = 2 L = 0.6 D <sub>Iso</sub> = 1.1	0.1	0.25-0.35	0.25-0.35	928999-6 schwarz BLACK	928999-5 schwarz BLACK	928999-5 schwarz BLACK												
2141824-5		A			Au	A = 2.5 B = 3.7 C = 5.4 D = 13.7 M = 0	E = 1.5 G = 1.5 D <sub>Dr</sub> = 0.65	H = 2 K = 2 L = 0.6 D <sub>Iso</sub> = 1.1	0.1	0.25-0.35	0.25-0.35	928999-6 schwarz BLACK	928999-5 schwarz BLACK	928999-5 schwarz BLACK												
2141824-1		A			Sn	A = 2.5 B = 3.7 C = 5.4 D = 13.7 M = 0	E = 1.5 G = 1.5 D <sub>Dr</sub> = 0.65	H = 2 K = 2 L = 0.6 D <sub>Iso</sub> = 1.1	0.1	0.25-0.35	0.25-0.35	928999-6 schwarz BLACK	928999-5 schwarz BLACK	928999-5 schwarz BLACK												
1355717-6		A			Ag	A = 2.5 B = 3.7 C = 5.4 D = 13.7 M = 0	E = 1.5 G = 1.5 D <sub>Dr</sub> = 0.65	H = 2 K = 2 L = 0.6 D <sub>Iso</sub> = 1.1	0.1	0.25-0.35	0.25-0.35	928999-6 schwarz BLACK	928999-5 schwarz BLACK	928999-5 schwarz BLACK												
1355717-5		C			Au	A = 2.5 B = 3.7 C = 5.4 D = 13.7 M = 0	E = 1.5 G = 1.5 D <sub>Dr</sub> = 0.65	H = 2 K = 2 L = 0.6 D <sub>Iso</sub> = 1.1	0.1	0.25-0.35	0.25-0.35	928999-6 schwarz BLACK	928999-5 schwarz BLACK	928999-5 schwarz BLACK												
1355717-1		C			Sn	A = 2.5 B = 3.7 C = 5.4 D = 13.7 M = 0	E = 1.5 G = 1.5 D <sub>Dr</sub> = 0.65	H = 2 K = 2 L = 0.6 D <sub>Iso</sub> = 1.1	0.1	0.25-0.35	0.25-0.35	928999-6 schwarz BLACK	928999-5 schwarz BLACK	928999-5 schwarz BLACK												

# Bemerkungen

- Datumscode (Woche/Jahr z.B. KW 38/Jahr 2009) und TE-Revision (z.B. Rev.A) DATE CODE (WEEK/YEAR E.G. WEEK NUMBER 38/YEAR 2009) AND TE REVISION (E.G. REV. A)
- Passend zu Stiftkontakt siehe Zeichnung 929453 SUITABLE FOR PIN CONTACT SEE DRAWING 929453
- Einzelheiten der Ausfuehrung bleiben dem Hersteller ueberlassen DETAILS OF DESIGN ARE LEFT TO MANUFACTURER
- Nur fuer FLR-Leitung nach DIN 72551 Teil 6 FOR FLR-CONDUCTOR ACCORDING TO DIN 72551-6 ONLY
- 
- nicht fuer Neuanwendung NOT FOR NEW APPLICATION
- zugverstaerkte Leitung nach LV 112-4 REINFORCED WIRE ACCORDING LV 112-4
- Bei doppelt fallenden Werkzeugen wird die erste Ueberfeder mit einer Kennzeichnung "-" versehen WITH DOUBLE OUT DIES THE FIRST SPRING WILL BE PROVIDED WITH AN INDICATION "-"
- Varianten von Design1 werden durch die entsprechenden Versionen von Design2 ersetzt VARIANTS OF DESIGN1 ARE SUPERSEDED BY CORRESPONDING VERSIONS OF DESIGN2



THIS DRAWING IS A CONTROLLED DOCUMENT.		OWN S. Garcia 05JAN1999	TE Connectivity	
DIMENSIONS: mm		CHK R. Jetter 05JAN1999	NAME MQS	
TOLERANCES UNLESS OTHERWISE SPECIFIED: ±0.2		APVD M. Reicher 13AUG2003	TABLETTEICHNUNG Buchsenkontakt	
MATERIAL: -		PRODUCT SPEC 108-18030	TABLE SOCKET CONTACT	
FINISH: -		APPLICATION SPEC 114-18021 / 114-18025	RESTRICTED TO	
WEIGHT: -		SIZE 114-18021 / 114-18025	CUSTOMER DRAWING	
SCALE 10:1		CAGE CODE 00779	SHEET 1 of 1	
REV C25		©=929454	REV C25	