

# Quickie IDC System

## Header Slim Line Straight

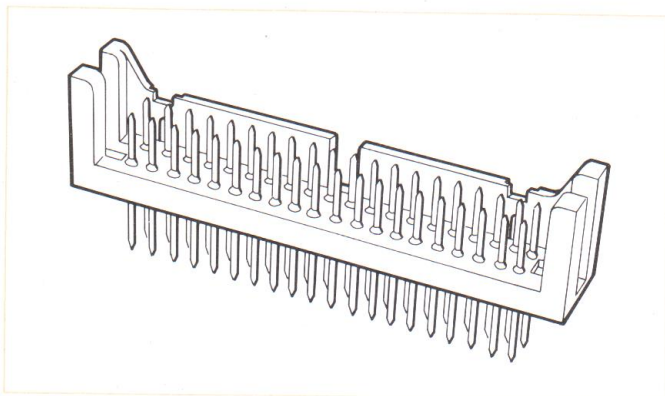
### Features

Fully compatible with the Quickie Female Connector product line.

Shielding protects pins in unmated condition.

Requires minimum of space on p.c. board allowing dense packaging designs.

Pins available in different styles.

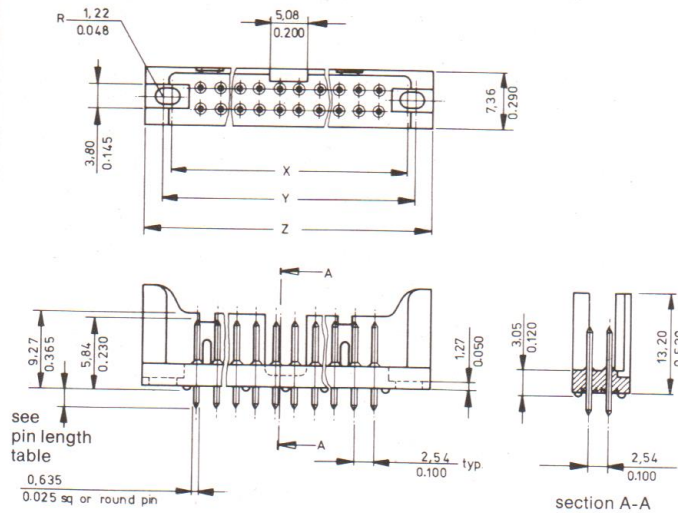


Quickie is a trade mark of Berg Electronics, Division of E.I. du Pont de Nemours & Co. Inc.

### Technical data

<b>Grid</b>		2,54 × 2,54 mm (0.100 × 0.100 inch)
<b>Polarization</b>		By cutting off a pin and adding a polarization plug to the mating female connector. By using Quickie Female with moulded, single polarizing ridge or dual polarizing grooves in conjunction with header utilizing dual polarization keys
<b>Body</b>	<b>Material</b>	Glass-filled thermoplastic polyester (UL 94 V-0). Colour blue
	<b>Insulation resistance</b>	$1 \times 10^5$ M $\Omega$ min.
	<b>Temperature range</b>	-65° C to +125° C
	<b>Withstanding voltage</b>	> 500 V rms (sea level)
<b>Pin</b>	<b>Material</b>	Phosphor bronze
	<b>Finish</b>	Contact area: gold over nickel (see "Ordering data")
	<b>Current rating</b>	5 A
<b>Packaging</b>		Min. quantity: 100 headers Order in multiples of this quantity

## Description

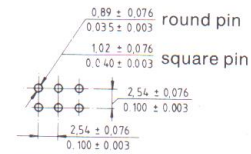


Dimensions  $\frac{\text{mm}}{\text{inches}}$

No. of positions	X	Y	Z
2 x 5	17,78	19,81	24,13
	0.700	0.780	0.950
2 x 7	22,86	24,89	29,21
	0.900	0.980	1.150
2 x 8	25,40	27,43	31,75
	1.000	1.080	1.250
2 x 10	30,48	32,51	36,83
	1.200	1.280	1.450
2 x 13	38,10	40,13	44,45
	1.500	1.580	1.750
2 x 17	48,26	50,29	54,61
	1.900	1.980	2.150
2 x 20	55,88	57,91	62,23
	2.200	2.280	2.450
2 x 25	68,58	70,61	74,93
	2.700	2.780	2.950
2 x 30	81,28	83,31	87,63
	3.200	3.280	3.450

### P.C. Board specification


Thickness  $\frac{1,58}{0,062}$  or  $\frac{3,18}{0,125}$



recommended hole pattern

## Ordering data

Number of positions	Finish - 0,75 $\mu\text{m}$ (30 $\mu\text{m}$ inch) gold			Finish - 0,40 $\mu\text{m}$ (16 $\mu\text{m}$ inch) gold		
	Pin lengths			Pin lengths		
	Round 2,67 mm (0.105 inch)	Round 3,81 mm (0.150 inch)	Square 17,15 mm (0.675 inch)	Round 2,67 mm (0.105 inch)	Round 3,81 mm (0.150 inch)	Square 17,15 mm (0.675 inch)
2 x 5*	65692-001	65692-002	65692-003	65692-082	65692-083	65692-084
2 x 5**	-109	-110	-111	-115	-116	-117
2 x 7	-037	-038	-039	-085	-086	-087
2 x 8	-043	-044	-045	-088	-089	-090
2 x 10	65692-007	65692-008	65692-009	65692-091	65692-092	65692-093
2 x 13	-013	-014	-015	-094	-095	-096
2 x 17	-019	-020	-021	-097	-098	-099
2 x 20	65692-025	65692-026	65692-027	65692-100	65692-101	65692-102
2 x 25	-031	-032	-033	-103	-104	-105
2 x 30	-057	-058	-059	-106	-107	-108

- Notes**
1. Pin diameter 0,64 mm (0.025 inch)
  2. \* Center key polarization.
  3. \*\* Dual-polarization.
  4. Center key polarization and dual-polarization both available for 14 through 60 position headers. For dual polarization, order dual-polarization key 66423-002
  5. Other types of plating available on request.
  6. **Approvals:** Canadian Standards Association (CSA) and  Products listed are recognized under the Component Program of Underwriters Laboratories Inc.

7. For mating Female Quickie connectors see applicable data sheets: "Female II", "DIN Quickie Female" and "Euro Quickie Female".