

Quickie IDC System

Header Slim Line Right-Angle

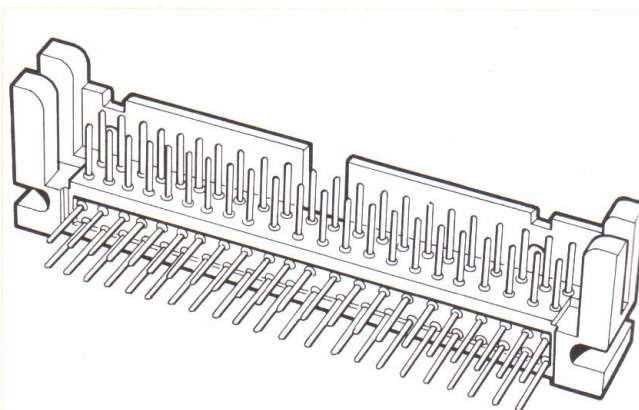
Features

Fully compatible with Quickie Female Connector line with or without strain relief.

Shielding protects pins in unmated condition.

Requires minimum of space on p.c. board allowing dense packaging designs.

Pins available in different styles.

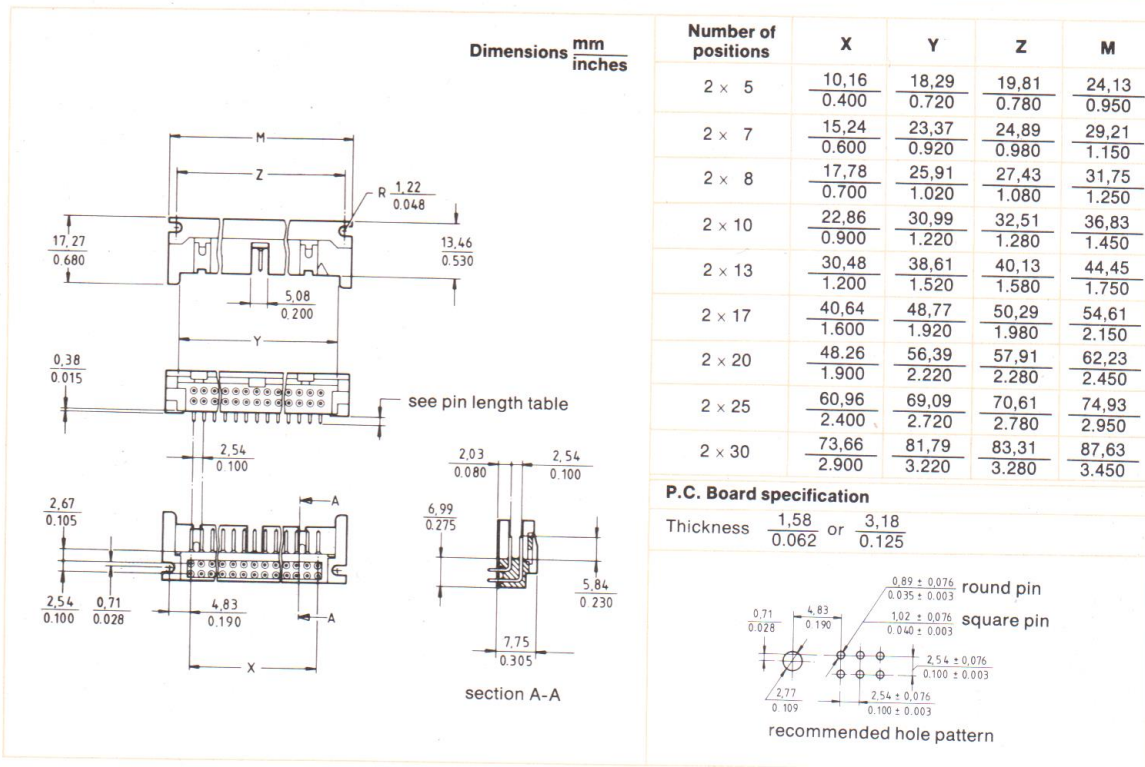


Quickie is a trade mark of Berg Electronics, Division of E.I. du Pont de Nemours & Co. Inc.

Technical data

Grid		2,54 × 2,54 mm (0.100 × 0.100 inch)
Polarization		By cutting off a pin and adding a polarization plug to the mating female connector. By using Quickie Female with moulded, single polarizing ridge or dual polarizing grooves in conjunction with header utilizing dual polarization keys
Body	Material	Glass-filled thermoplastic polyester (UL 94 V-0). Colour blue
	Insulation resistance	1×10^5 M Ω min.
	Temperature range	-65° C to +125° C
	Withstanding voltage	> 500 V rms (sea level)
Pin	Material	Phosphor bronze
	Finish	Contact area: gold over nickel (see "Ordering data")
	Current rating	5 A
Packaging		Min. quantity: 100 headers Order in multiples of this quantity

Description



Ordering data

Number of positions	Finish - 0,75 μm (30 μinch) gold			Finish - 0,40 μm (16 μinch) gold		
	Pin lengths			Pin lengths		
	Round 2,67 mm (0.105 inch)	Round 3,81 mm (0.150 inch)	Square 17,15 mm (0.675 inch)	Round 2,67 mm (0.105 inch)	Round 3,81 mm (0.150 inch)	Square 17,15 mm (0.675 inch)
2 × 5*	65496-001	65496-005	65496-003	65496-055	65496-056	65496-057
2 × 5**	-085	-086	-087	-082	-083	-084
2 × 7	-037	-041	-039	-058	-059	-060
2 × 8	-043	-047	-045	-061	-062	-063
2 × 10	65496-007	65496-011	65496-009	65496-064	65496-065	65496-066
2 × 13	-013	-017	-015	-067	-068	-069
2 × 17	-019	-023	-021	-070	-071	-072
2 × 20	65496-025	65496-029	65496-027	65496-073	65496-074	65496-075
2 × 25	-031	-035	-033	-076	-077	-078
2 × 30	-049	-053	-051	-079	-080	-081

Notes 1. Pin diameter 0,64 mm (0.025 inch)

2. *Center key polarization.

3. **Dual-polarization.

4. Center key polarization and dual-polarization both available for 14 through 60 position headers.

For dual polarization, order dual-polarization key 66423-002

5. Other types of plating available on request.

6. **Approvals:** Canadian Standards Association (CSA) and



Products listed are recognized under the Component Program of Underwriters Laboratories Inc.

7. For mating Female Quickie connectors see applicable data sheets: "Female II", "DIN Quickie Female" and "Euro Quickie Female".