

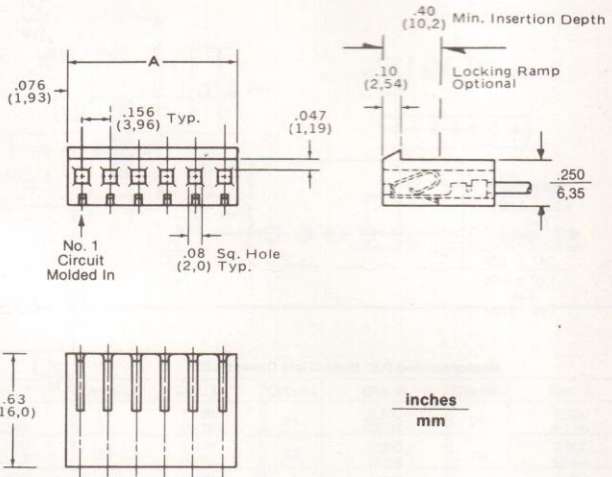
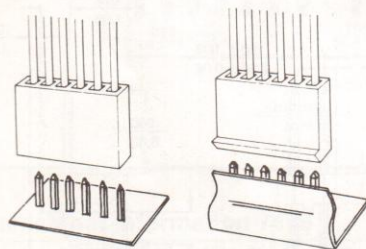
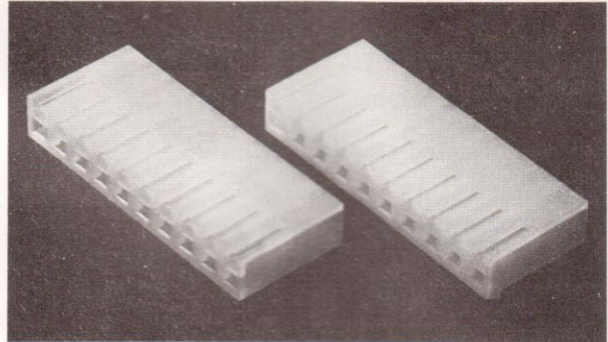
.156" (3,96 mm) Center Crimp Terminal Housing



2139 Series

Features/Dimensions:

- With or without locking ramp
- Mates with .045" (1,14mm) round or square pins
- Accepts Molex double cantilever crimp terminals (Except 4018 terminal)
- 94V-2 Nylon
- 2-24 Circuits available
- Housing available with integrally molded polarizing keys and pegs - Contact factory for model 2939
- Mates with Molex KK .156" (3,96mm) center wafers or staked pins
- Euro version 3069. See next page



Inches
mm

Dimensional Information 2139

Circuits	Dim. A	Circuits	Dim. A	Circuits	Dim. A	Circuits	Dim. A	Circuits	Dim. A	Circuits	Dim. A
2	.31 ± .007 7,92 ± 0,18	6	.93 ± .010 23,67 ± 0,25	10	1.56 ± .012 39,52 ± 0,30	14	2.18 ± .014 55,37 ± 0,36	18	2.804 ± .009 71,22 ± 0,23	22	3.428 ± .018 87,07 ± 0,46
3	.46 ± .010 11,79 ± 0,25	7	1.09 ± .012 27,64 ± 0,30	11	1.71 ± .012 43,48 ± 0,30	15	2.34 ± .014 59,33 ± 0,36	19	2.960 ± .014 65,18 ± 0,36	23	3.584 ± .018 91,03 ± 0,46
4	.62 ± .010 15,75 ± 0,25	8	1.24 ± .012 31,60 ± 0,30	12	1.87 ± .012 47,45 ± 0,30	16	2.492 ± .007 63,30 ± 0,18	20	3.116 ± .018 79,15 ± 0,46	24	3.740 ± .018 95,00 ± 0,46
5	.78 ± .010 19,71 ± 0,25	9	1.40 ± .012 35,56 ± 0,38	13	2.02 ± .014 51,41 ± 0,36	17	2.648 ± .008 67,26 ± 0,20	21	3.272 ± .018 83,11 ± 0,46		

Ordering Information 2139 (Preferred version in the Americas)

Circuits	With Locking Ramp	Without Locking Ramp	Circuits	With Locking Ramp	Without Locking Ramp	Circuits	With Locking Ramp	Without Locking Ramp
2	09-50-3021	09-50-7021	10	09-50-3101	09-50-7101	18	09-50-3181	09-50-7181
3	09-50-3031	09-50-7031	11	09-50-3111	09-50-7111	19	09-50-3191	09-50-7191
4	09-50-3041	09-50-7041	12	09-50-3121	09-50-7121	20	09-50-3201	09-50-7201
5	09-50-3051	09-50-7051	13	09-50-3131	09-50-7131	21	09-50-3211	09-50-7211
6	09-50-3061	09-50-7061	14	09-50-3141	09-50-7141	22	09-50-3221	09-50-7221
7	09-50-3071	09-50-7071	15	09-50-3151	09-50-7151	23	09-50-3231	09-50-7231
8	09-50-3081	09-50-7081	16	09-50-3161	09-50-7161	24	09-50-3241	09-50-7241
9	09-50-3091	09-50-7091	17	09-50-3171	09-50-7171			

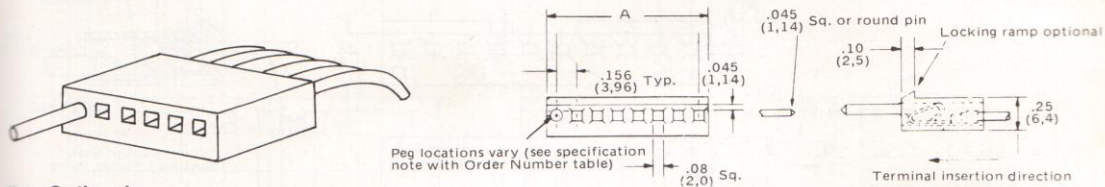
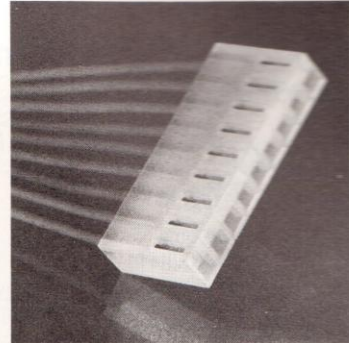
.156" (3,96 mm) Center Crimp Terminal Housing



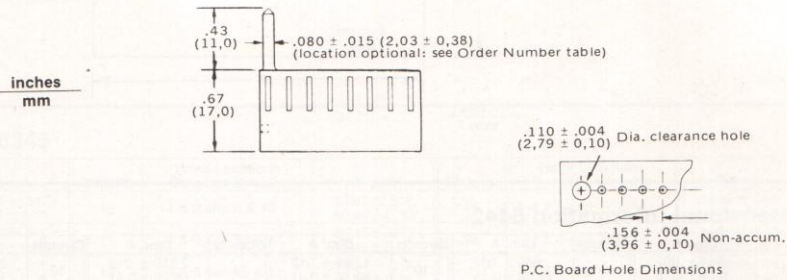
3069 Series

Features/Dimensions:

- Standard version without polarizing peg
- With or without locking ramp
- Mates with .045" round or square pins
- Accepts Molex double cantilever crimp terminals
- 94V-2 Nylon
- Housing available with integrally molded polarizing pegs
- Mates with Molex KK .156" (3,96mm) center wafers or staked pins



Peg Optional:
Contact Factory to order.



Dimensional Information 3069

Circuits	Dim. A	Circuits	Dim. A	Circuits	Dim. A	Circuits	Dim. A	Circuits	Dim. A	Circuits	Dim. A
2	308 ± .010 7,82 ± 0,25	6	.932 ± .010 23,67 ± 0,25	9	1.400 ± .012 35,67 ± 0,31	12	1.868 ± .012 47,45 ± 0,31	15	2.336 ± .014 59,33 ± 0,36	18	2.804 ± .014 71,22 ± 0,36
3	464 ± .010 11,79 ± 0,25	7	1.088 ± .012 27,64 ± 0,31	10	1.556 ± .012 39,52 ± 0,31	13	2.024 ± .014 51,41 ± 0,36	16	2.492 ± .014 63,30 ± 0,36	19	2.960 ± .014 75,18 ± 0,36
4	620 ± .010 15,75 ± 0,25	8	1.244 ± .012 31,60 ± 0,31	11	1.712 ± .012 43,48 ± 0,31	14	2.180 ± .014 55,37 ± 0,36	17	2.648 ± .014 67,26 ± 0,36	20	3.116 ± .018 79,15 ± 0,46
5	776 ± .010 19,71 ± 0,25										

Ordering Information 3069 (Preferred version in Europe and the Far East)

Circuits	With Locking Ramp	Without Locking Ramp	Circuits	With Locking Ramp	Without Locking Ramp	Circuits	With Locking Ramp	Without Locking Ramp	Circuits	With Locking Ramp	Without Locking Ramp
2	• 09-91-0200	• 09-92-0200	7	• 09-91-0700	• 09-92-0700	12	• 09-91-1200	• 09-92-1200	17	• 09-91-1700	• 09-92-1700
3	• 09-91-0300	• 09-92-0300	8	• 09-91-0800	• 09-92-0800	13	• 09-91-1300	• 09-92-1300	18	• 09-91-1800	• 09-92-1800
4	• 09-91-0400	• 09-92-0400	9	• 09-91-0900	• 09-92-0900	14	• 09-91-1400	• 09-92-1400	19	• 09-91-1900	• 09-92-1900
5	• 09-91-0500	• 09-92-0500	10	• 09-91-1000	• 09-92-1000	15	• 09-91-1500	• 09-92-1500	20	• 09-91-2000	• 09-92-2000
6	• 09-91-0600	• 09-92-0600	11	• 09-91-1100	• 09-92-1100	16	• 09-91-1600	• 09-92-1600			

* Standard European Product.