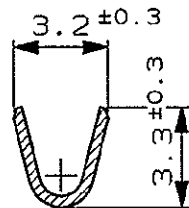


SCALA NON IMPEGNATIVA
(DO NOT SCALE)
DIMENSIONI IN mm
(DIMENSIONS IN)

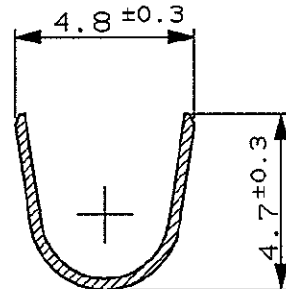
METRIC

PROIEZIONE EUROPEA
(EUROPEAN PROJECTION)

PART. SECT. A-A



PART. SECT. B-B



A

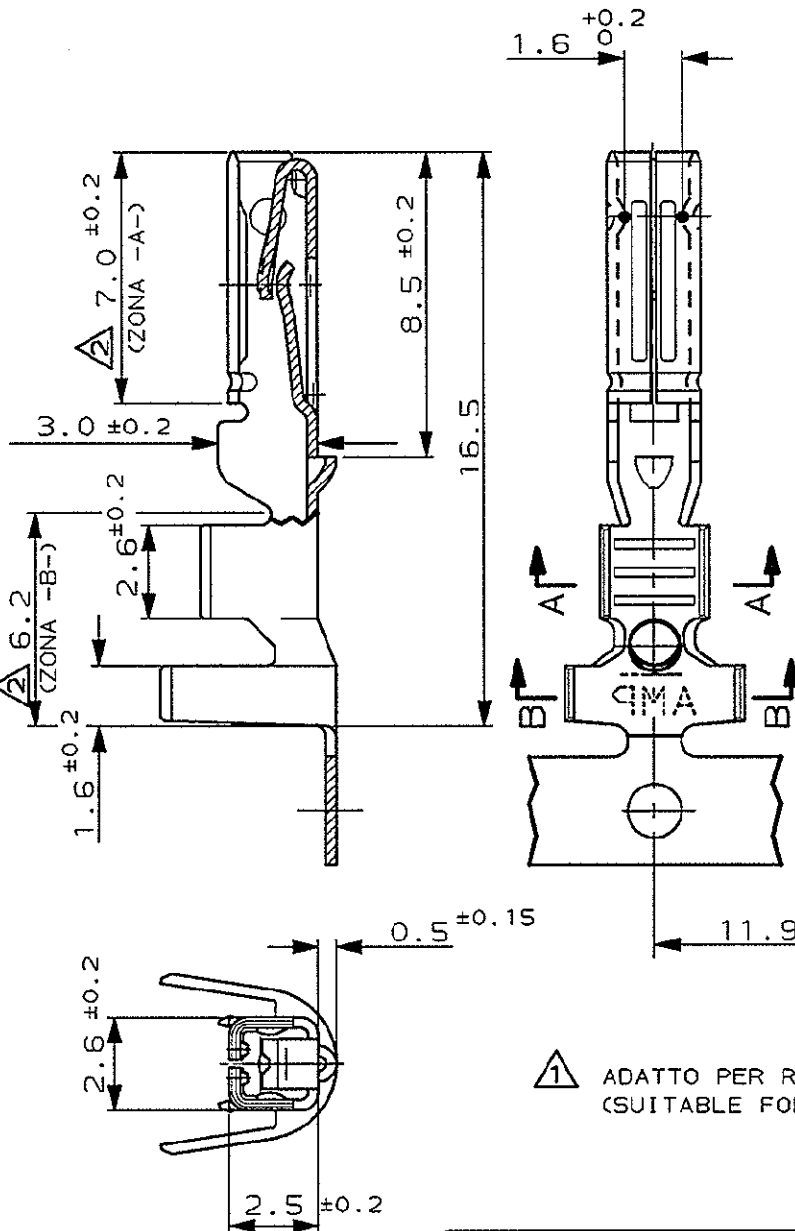
B

C

D

E

F



⚠ ADATTO PER RUBBER PLUG 281934-...
(SUITABLE FOR WIRE SEAL 281934-...)

PRE-STAGNATO/PRE-TIN	BRONZO FOSF./PH. BRONZE	282110-1
FINITURA / COLORE (FINISH / COLOUR)	MATERIALE (MATERIAL)	NUMERO (PART NUMBER)
CUSTOMER DRAWING FOR REFERENCE ONLY		DISEGNO PER CLIENTE SOLO PER RIFERIMENTO
THIS DRAWING IS UNPUBLISHED		RELEASE FOR PUBLICATION 1990
© COPYRIGHT 1990 BY AMP INCORPORATED, HARRISBURG, PA. ALL INTERNATIONAL RIGHT RESERVED. AMP PRODUCTS MAY BE COVERED BY U.S. AND FOREIGN PATENT AND/OR PATENT PENDING.		
D	REVISED FOR ET00-0054-04 M.G. 10 MAR 92	TOLLERANZE, SE NON DIVERSAMENTE SPECIFICATO (TOLERANCES, UNLESS OTHERWISE SPECIFIED)
A3	REVISED FOR ET00-0150-99 M.G. 12 MAY 99	
A2	UPDATED ET00-0193-98 R.R. 03 JUL 99	DIAM. ISOLANTE (INS. DIA. RANGE)
A1	REVISED FOR ET00-0072-98 M.P. 07 APR 99	
A	MODIFIED WIRE BARREL DIMENSIONS (ET00-0131-94) C.B. 28 APR 94	RANGO FILO (WIRE RANGE)
4	UP-DATED C.B. 10 92	SCALA (SCALE)
3	UP-DATED WIRE RANGE JUN. 92	± 0.3
2	UP-DATED WIRE RANGE JUN. 91	ANGOLI (ANGLES)
1	UP-DATED NOV. 90	± 2°
REV. (REV. DATE)	REVISIONI (REVISION RECORD)	DIS. DATA (DATE)
		DESCRIZIONE (DESCRIPTION)
		Bassano
		CONT. (CHK) 9 NOV. 90
		Bertini
LOC.	SIZE	NUMERO (COWB NO)
I	A4	C-282110
REV.	FOGLIO (SHEET)	
D	1 OF 1	

DISTRIBUZIONE
(PRINT DIST.)