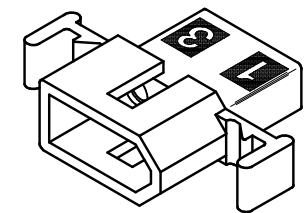
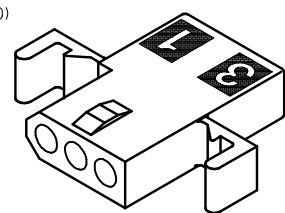
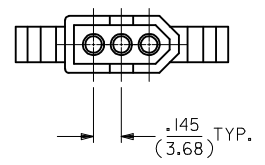
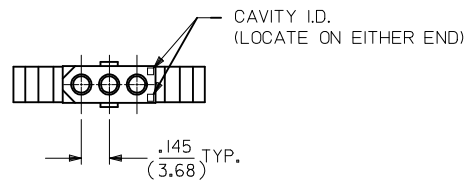
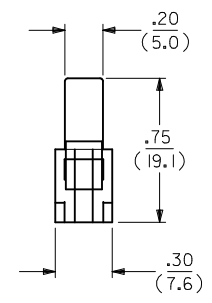
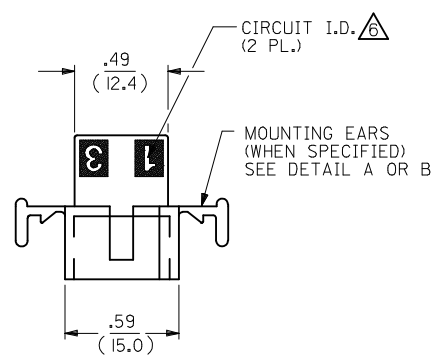
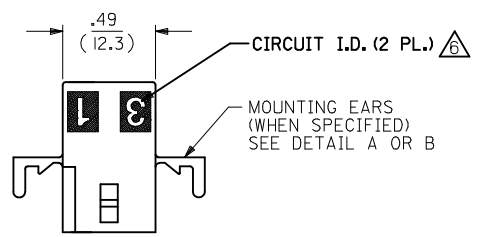
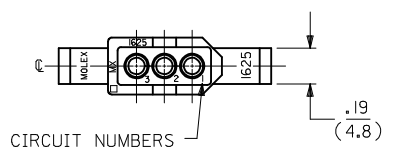
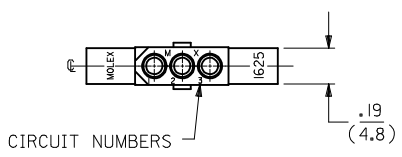


RECEPTACLE

PLUG



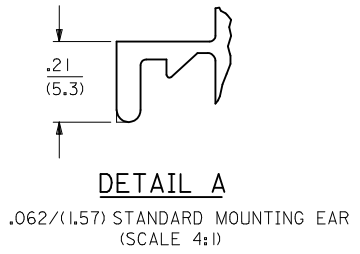
RECEPTACLE HOUSING
SHOWN WITH STANDARD EARS

PLUG HOUSING
SHOWN WITH STANDARD EARS

UPDATE REV. LEVEL EC NO: UCP2007-1925 DRAWN: PRIDDER CHKD: AELHAG APPR: FSMITH 2007/02/08 2007/02/12 2007/02/12	QUALITY SYMBOLS ▽=0 ▽=0	GENERAL TOLERANCES (UNLESS SPECIFIED)		DIMENSION STYLE IN/MM	SCALE ---	DESIGN UNITS INCH	THIRD ANGLE PROJECTION		
		4 PLACES ± --- ± ---	3 PLACES ± --- ± .010	DRAWN BY KBW	DATE 1/26/89	TITLE PLUG AND RECEPTACLE HOUSINGS, 3 CIRCUIT, .062 DIA.			
		2 PLACES ± 0.25 ± .014	1 PLACE ± 0.35 ± ---	CHECKED BY RW	DATE 1/26/89	APPROVED BY RAS			
		ANGULAR ± 1/2°		MATERIAL NO. SEE CHART		DOCUMENT NO. SD-1625-3*		SHEET NO. 1 OF 2	
DRAFT WHERE APPLICABLE MUST REMAIN WITHIN DIMENSIONS		THIS DRAWING CONTAINS INFORMATION THAT IS PROPRIETARY TO MOLEX INCORPORATED AND SHOULD NOT BE USED WITHOUT WRITTEN PERMISSION							

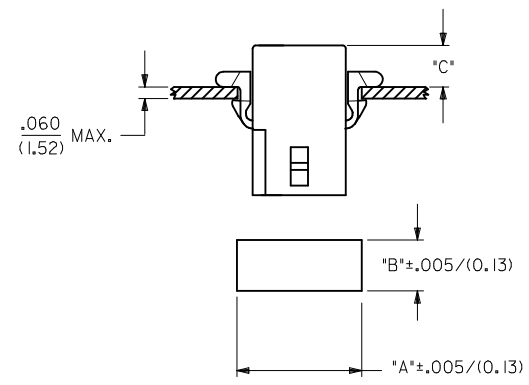
PLUG		
PART NO.	ENG. NO.	
03-06-2031	1625-3P	
03-06-2032	1625-3P1	
03-06-2034	1625-3P4BK	
03-06-7032	1625-3P1BK	OBSOLETE
03-06-2033	1625-3P4	

RECEPTACLE		
PART NO.	ENG. NO.	
03-06-1033	1625-3R2	
03-06-1031	1625-3R	
03-06-1032	1625-3R1	
03-06-6031	1625-3RBK	
03-06-6032	1625-3R1BK	OBSOLETE
03-06-1034	1625-3R3	
03-06-1038	1625-3R4	



LEGEND:
 1625-3****
 CIRCUIT SIZE
 P = PLUG
 R = RECEPTACLE

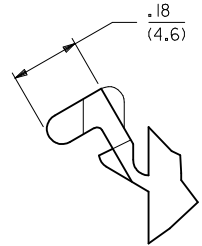
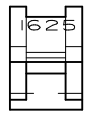
BLANK = WITH STANDARD EARS
 1 = WITHOUT EARS
 2 = WITHOUT EARS, WITHOUT DETENTS
 3 = WITH STD. EARS, WITHOUT DETENTS
 4 = WITH PREBENT EARS



HOUSING	DIM. "A"	DIM. "B"	"C" PREBENT EAR	"C" STANDARD EAR
PLUG	.754/(19.15)	.318/(8.08)	.19/(4.8)	.18/(4.6)
RECEPT.	.650/(16.51)	.265/(6.73)	.21/(5.3)	.20/(5.1)

COLOR:
 BLANK = NATURAL COLOR
 AM = AMBER BK = BLACK BU = BLUE
 BN = BROWN GY = GRAY GN = GREEN
 OR = ORANGE RD = RED YW = YELLOW

RECOMMENDED PANEL OPENING



- NOTES:-
1. MATERIAL: NYLON TYPE 6/6, 94V-2.
 2. FINISH: NONE.
 3. PRODUCT SPECIFICATION: PS-02-06.
 4. PACKAGING SPECS: BULK PACK PER PK-1625-001.
 5. ACCEPTS MOLEX .062" SERIES TERMINALS.

ETCHED CIRCUIT I.D. NUMBERS ON HOUSING MAY OR MAY NOT BE PRESENT.

7. PARTS CONFORM TO CLASS B REQUIREMENTS OF COSMETIC SPECIFICATION PS-45499-002.

REVISE NOTE # 6 EC NO: UCP2010-0366 DRW: AELHAG CHKD: J.BELL APPR: F.S.MITH	2009/08/11 2009/08/11 2009/08/12	DESCRIPTION M3	QUALITY SYMBOLS ▽=0 ▽=0	GENERAL TOLERANCES (UNLESS SPECIFIED)		DIMENSION STYLE IN/MM		SCALE 1:1	DESIGN UNITS INCH	THIRD ANGLE PROJECTION
				4 PLACES ± --- ± ---	DRAWN BY KBW	DATE 01/26/89	PLUG AND RECEPTACLE HOUSINGS, 3 CIRCUIT, .062 DIA.			
				3 PLACES ± --- ±.010	CHECKED BY RW	DATE 01/26/89				
				2 PLACES ± 0.25 ±.014 1 PLACE ± 0.35 ± ---	APPROVED BY RAS	DATE 01/26/89		MOLEX INCORPORATED	SHEET NO. 2 OF 2	
DRAFT WHERE APPLICABLE MUST REMAIN WITHIN DIMENSIONS				MATERIAL NO. SEE CHART	DOCUMENT NO. SD-1625-3*					
THIS DRAWING CONTAINS INFORMATION THAT IS PROPRIETARY TO MOLEX INCORPORATED AND SHOULD NOT BE USED WITHOUT WRITTEN PERMISSION										