

Product

BP2858F is a high-precision step-down LED constant current driver chip that supports PWM dimming. It is packaged directly in DIP-7. It adopts a dimming control mode combining analog and PWM, which can optimize the linearity of dimming and the consistency of luminous flux to the greatest extent. , a non-isolated step-down LED constant current power supply suitable for 85Vac~265Vac full-range input voltage, specially designed for applications in the field of flicker-free LED lighting. The chip integrates a 500V, 3Ω power tube, adopts a patented drive and current detection method, the operating current of the chip is extremely low, no auxiliary winding detection and power supply are required, and only a few external components are required to achieve excellent constant current characteristics. The output power is less than 50W.

Features of BP2858F dimming chip;

Support 1%-100% PWM

Dimming without audio noise, deep dimming depth

Internally integrated 500V power tube

Inductor Current Critical Mode

No Auxiliary Winding Required for Sensing and Powering

±5% LED Output Current Accuracy

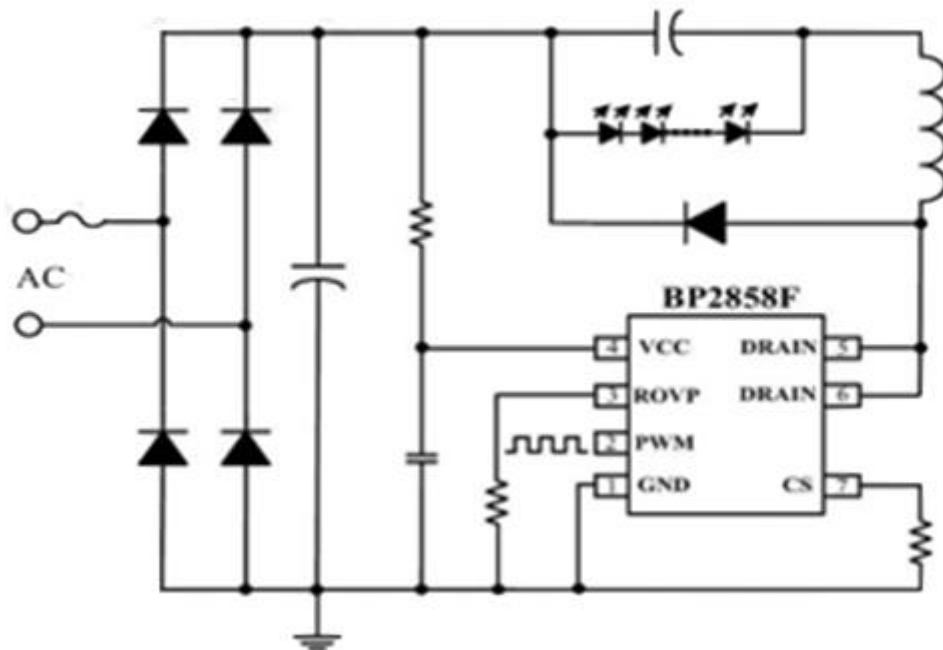
LED open/short protection

CS resistor short circuit protection

Chip power supply undervoltage protection

Overheat regulation function

Typical application circuit of stepless dimming and flicker-free chip BP2858;



BP2858 pin function;

Pin 1 GND: chip ground

2-pin PWM: PWM dimming signal input

3-pin ROVP: Open circuit protection voltage adjustment terminal, connected to the resistor to ground. The smaller the resistance, the higher the OVP voltage

4-pin VCC: chip power supply

5,6 feet DRAIN: internal high voltage power tube drain

7-pin CS: current sampling terminal, the sampling resistor is connected between CS and GND