

1. Application :

For sounder in alarm systems.

2. General :

- 2.1 Length : 57.5 mm.
2.2 Width : 44.5 mm.
2.3 Height : 55.6 mm.
2.4 Weight : 65 ± 5 g.
2.5 Operating Temperature range : -20 ~ +60°C without loss of function
2.6 Store Temperature range : -30 ~ +70°C without loss of function

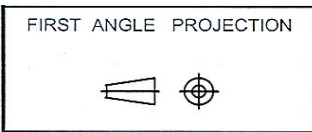
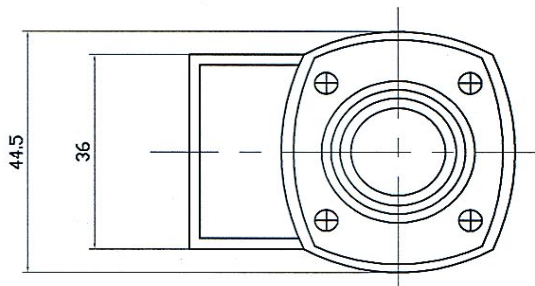
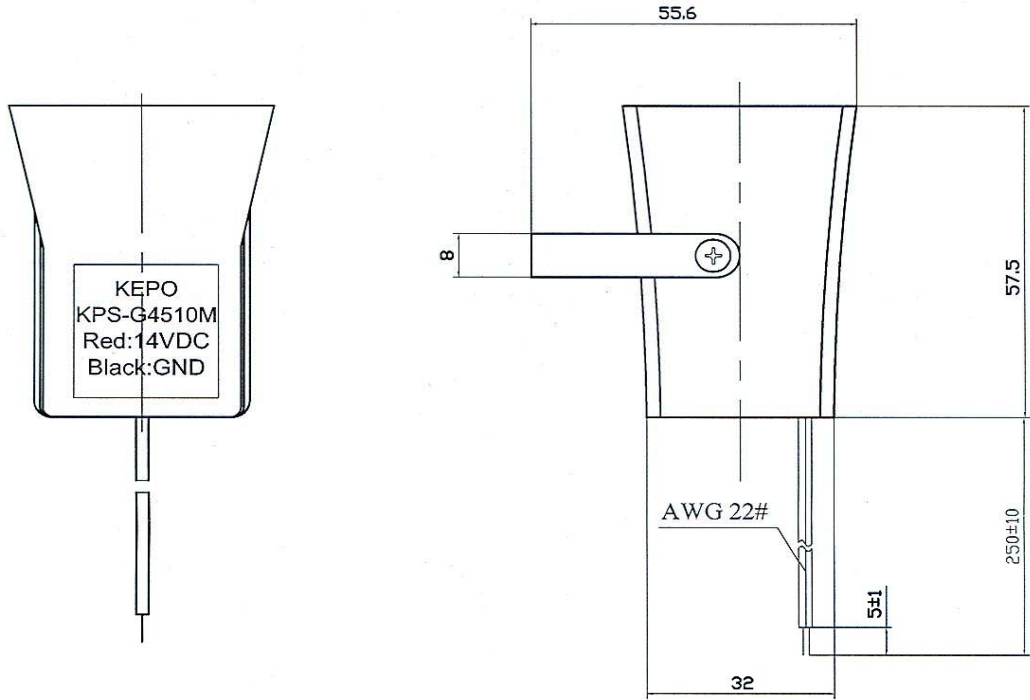
3. Electrical and Acoustic Characteristics :

Test condition : 15 ~ 35°C, 25% ~ 85% RH, 860 ~ 1060 mbar

No.	Items	KPS-G4510	KPS-G4510M
1	Rated Voltage	12 VDC	14 VDC
2	Operating Voltage	8 - 15 VDC	8 - 16 VDC
3	Max. Rated Current	≤ 200mA / 12VDC	≤ 120mA / 14VDC
4	Min. Sound Pressure Level	100dB / 12VDC / 100cm	96dB / 14VDC / 100cm
5	Tone Nature	Siren	Pulse
6	Housing Material / Color	ABS / Black	ABS / Black

4. Picture :

5. Dimensions :



UNIT : mm
Tolerance : ±0.5