

54/7423

PIN CONFIGURATION

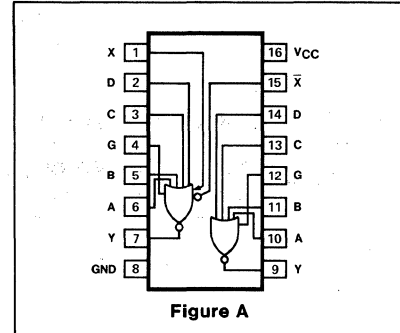
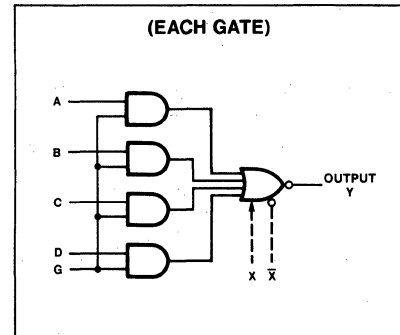


Figure A

ORDERING CODE (See Section 9 for further Package and Ordering Information)

PACKAGES	PIN CONF.	COMMERCIAL RANGES	MILITARY RANGES
		$V_{CC}=5V \pm 5\%$ ; $T_A=0^\circ C$ to $+70^\circ C$	$V_{CC}=5V \pm 10\%$ ; $T_A=-55^\circ C$ to $+125^\circ C$
Plastic DIP	Fig. A	N7423N	
Ceramic DIP	Fig. A	N7423F	S5423F
Flatpak	Fig. A		S5423W

LOGIC DIAGRAM



(EACH GATE)

INPUT AND OUTPUT LOADING AND FAN-OUT TABLE (a)

PINS		54/74	54H/74H	54S/74S	54LS/74LS
Inputs	$I_{IH}$ ( $\mu A$ )	40			
	$I_{IL}$ (mA)	-1.6			
Outputs	$I_{OH}$ ( $\mu A$ )	-800			
	$I_{OL}$ (mA)	16			

DC CHARACTERISTICS OVER OPERATING TEMPERATURE RANGE (b)

PARAMETER	TEST CONDITIONS	54/74		54H/74H		54S/74S		54LS/74LS		UNIT
		Min	Max	Min	Max	Min	Max	Min	Max	
$I_{IH}$	Input HIGH current for Strobe input		160							$\mu A$
$I_{IL}$	Input LOW current for Strobe input		-6.4							mA
$I_{CCH}$	Supply current		16							mA
$I_{CCL}$	Supply current		19							mA

AC CHARACTERISTICS:  $T_A=25^\circ C$  (See Section 4 for Waveforms and Conditions)

PARAMETER	TEST CONDITIONS	54/74		54H/74H		54S/74S		54LS/74LS		UNIT
		$C_L = 15pF$ $R_L = 400\Omega$								
		Min	Max	Min	Max	Min	Max	Min	Max	
$t_{PLH}$ $t_{PHL}$	Propagation delay		22 15							ns ns

NOTES

- a. The slashed numbers indicate different parametric values for Military/Commercial temperature ranges respectively.
- b. For family dc characteristics see inside front cover for 54/74 and 54H/74H, and see inside back cover for 54S/74S and 54LS/74LS specification.